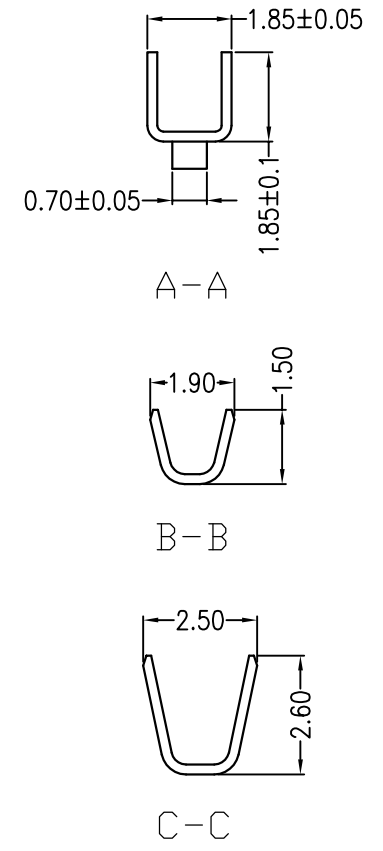
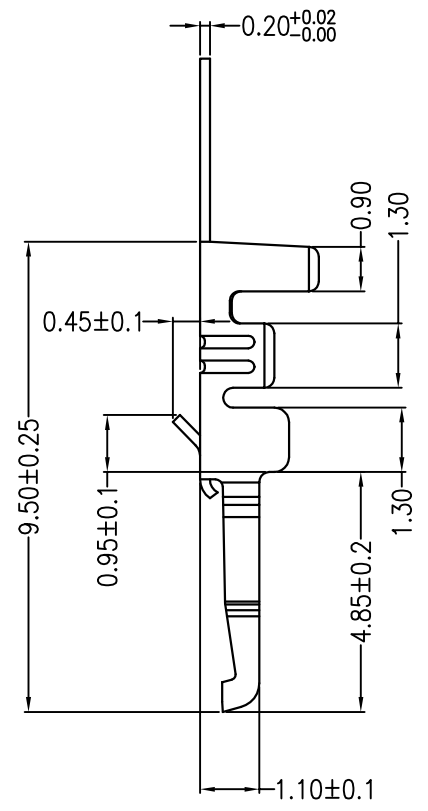
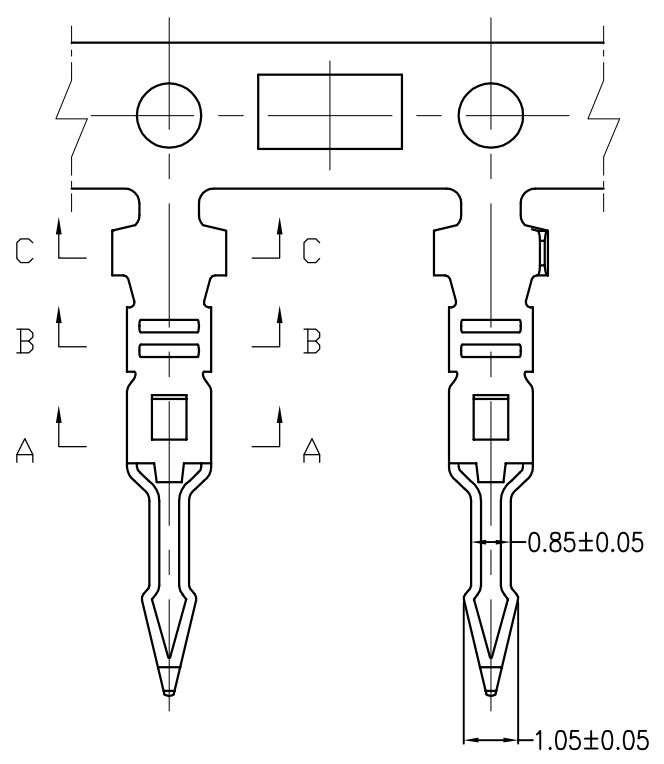


REV	DESCRIPTION	DESIGN	DATE
A0	Release	吴丹平	2015.07.01

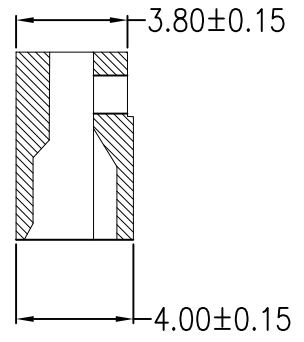
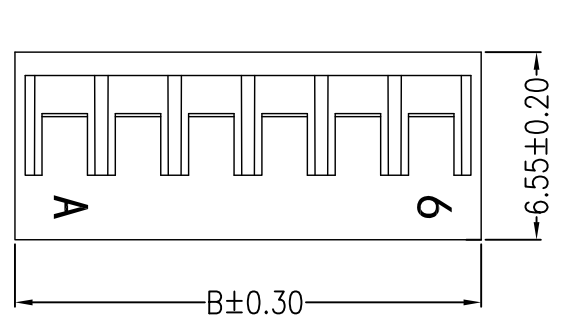


Ordering Information & Specification:

Part No	Wire Range	Insulation O.D.	Material	Finish	Qty/Reel
B2501T-PA	AWG #22~#28	1.70mm(max)	Phosphor bronze	Sn-plated	10,000 pcs

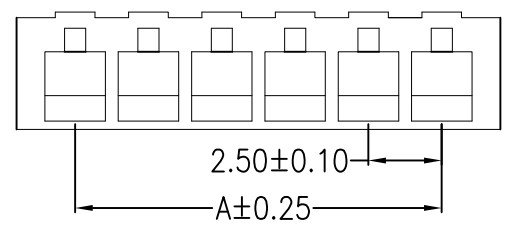
東莞市高迪電子有限公司 DONG GUAN GAO DI ELECTRONICS CO., LTD			TITLE: B2501端子	
X.±0.5	X.±5'	USE: CUSTOMER	PART NO.: B2501T-PA	
.X±0.3	.X±2'		DWG NO.: GCDZ-0020	
.XX±0.25	.XX±1'	APPD: 邵敬和	SCALE 1 : 1	
--	--	CHKD: 田峰	SHEET 1 / 1	
		UNITS: mm	DR: 吴丹平	

REV	DESCRIPTION	DESIGN	DATE
A	NEW RELEASE	Jiangjianyin	2020/08/25

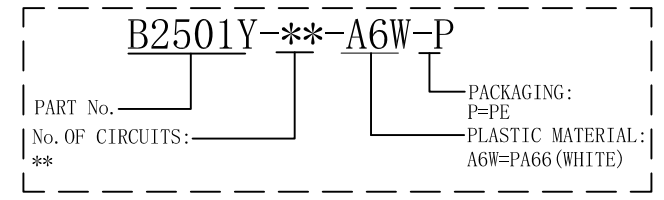


Specifications:

- Contact resistance: $\leq 20m\Omega$
- Insulation resistance: $\geq 1000M\Omega$
- Rated voltage: 250V AC DC
- Rated current: 3.0A AC DC
- Withstand Voltage: 800V AC/minute
- Temperature Range: $-25^{\circ}C \sim +85^{\circ}C$
- Housing: PA66 UL94V-0, Natural

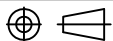


ORDER INFORMATION:



Circuits	Dimensions (mm)		Circuits	Dimensions (mm)	
	A	B		A	B
02	2.50	6.50	10	22.50	26.50
03	5.00	9.00	11	25.00	29.00
04	7.50	11.50	12	27.50	31.50
05	10.00	14.00	13	30.00	34.00
06	12.50	16.50	14	32.50	36.50
07	15.00	19.00	15	35.00	39.00
08	17.50	21.50	16	37.50	41.50
09	20.00	24.00			

 **東莞市高迪電子有限公司**
DONG GUAN GAO DI ELECTRONICS CO., LTD

GENERAL TOLERANCE		USE:
X. ± 0.50	X. $\pm 5^{\circ}$	CUSTOMER
X.X ± 0.30	X.X $\pm 2^{\circ}$	APPD: Shaojinghe
X.XX ± 0.20	X.XX $\pm 1^{\circ}$	CHKD: Zenglingqing
	UNITS: mm	DR: Jiangjianyin

TITLE: B2501Y-**-06P 2.50mm PITCH Housing	
PART NO.: B2501Y-**-A6W-P	
DWG NO.: GCKH-0588	
SCALE 1 : 1	SHEET 1 / 1